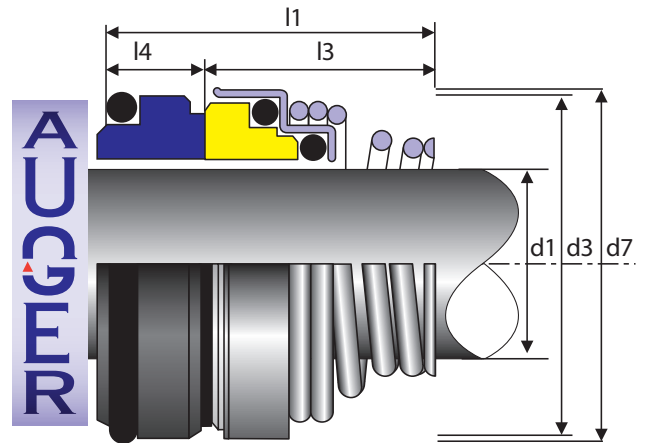


▶ AUGER SEAL TYPE AI-DIN

▼ WE SEAL PUMPS!



Diameter d1	d3	d7	l3	l4
10	20,00	21,00	15	7
12	22,00	23,00	18	7
14	24,00	25,00	22	7
16	26,00	27,00	23	7
18	32,00	33,00	24	10
20	33,00	35,00	25	10
22	36,00	37,00	25	10
24	37,40	39,00	27	10
25	38,00	40,00	27	10
28	42,00	43,00	29	10
30	44,00	45,00	30	10
32	45,50	48,00	30	10
33	46,50	48,00	39	10
35	49,00	50,00	39	10
38	56,00	56,00	42	13
40	58,00	58,00	42	13

SPECIFICATIONS

- Pmax: 10 bar
- T°C: -40 ~ 180 °C
- Single directional

APPLICATIONS

- Centrifugal pumps
- Submersible pumps
- Water pumps

MATERIALS

- Faces: Cer/Carb, Q2/Q2, Tc/Tc
- Metal parts: Chri/Ni
- O-rings: Viton, EPDM, NBR

REMARKS

- Special sizes on request

AUGER_{N.V.}

Kemelbeekstraat 30 - 2460 TIELEN - Belgium

T +32 (0)14 86 03 55 E info@auger.be W www.auger.be